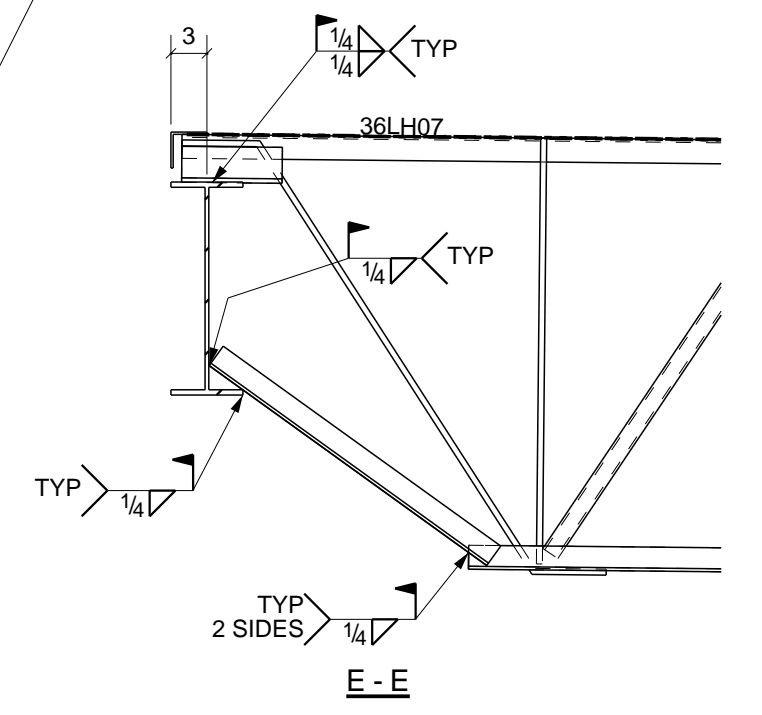
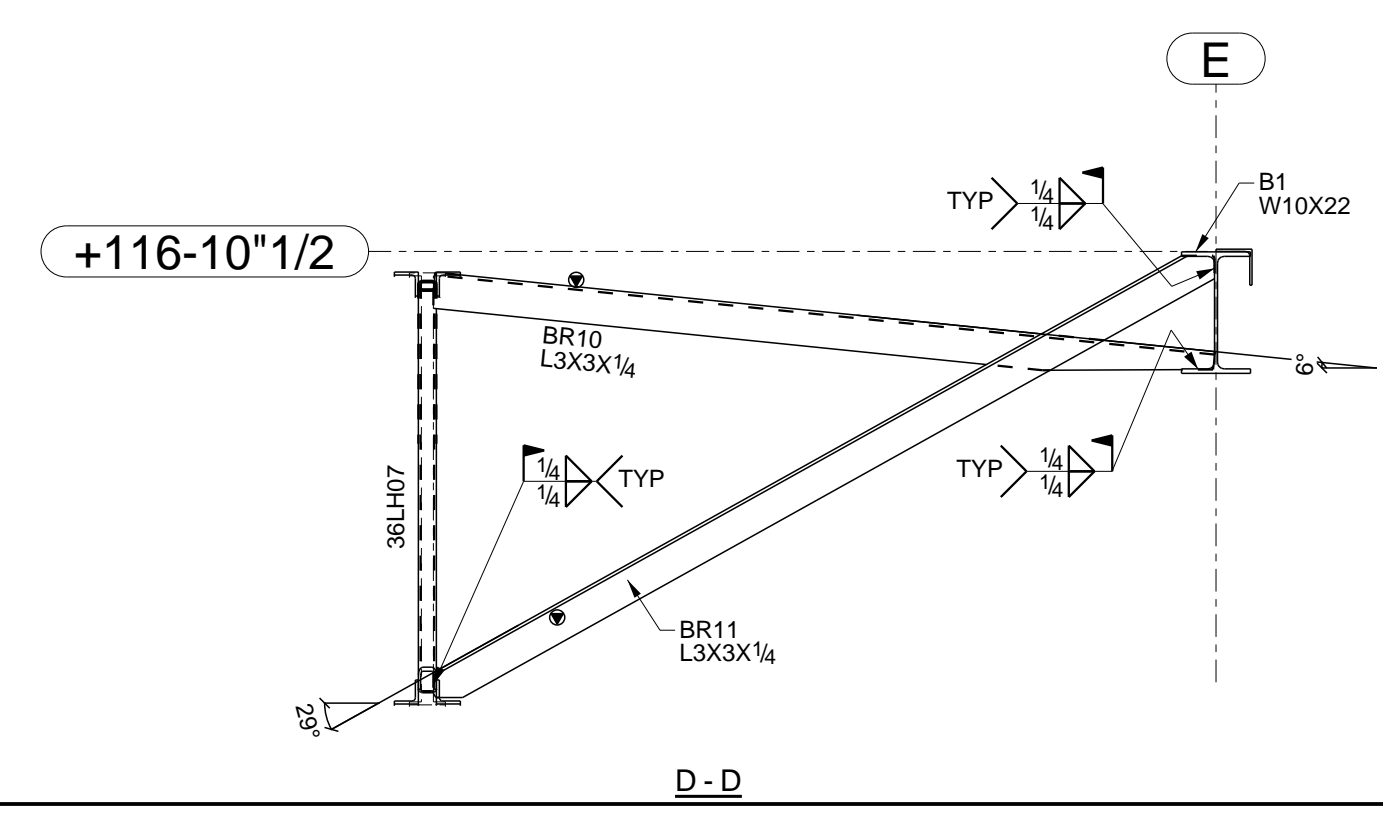
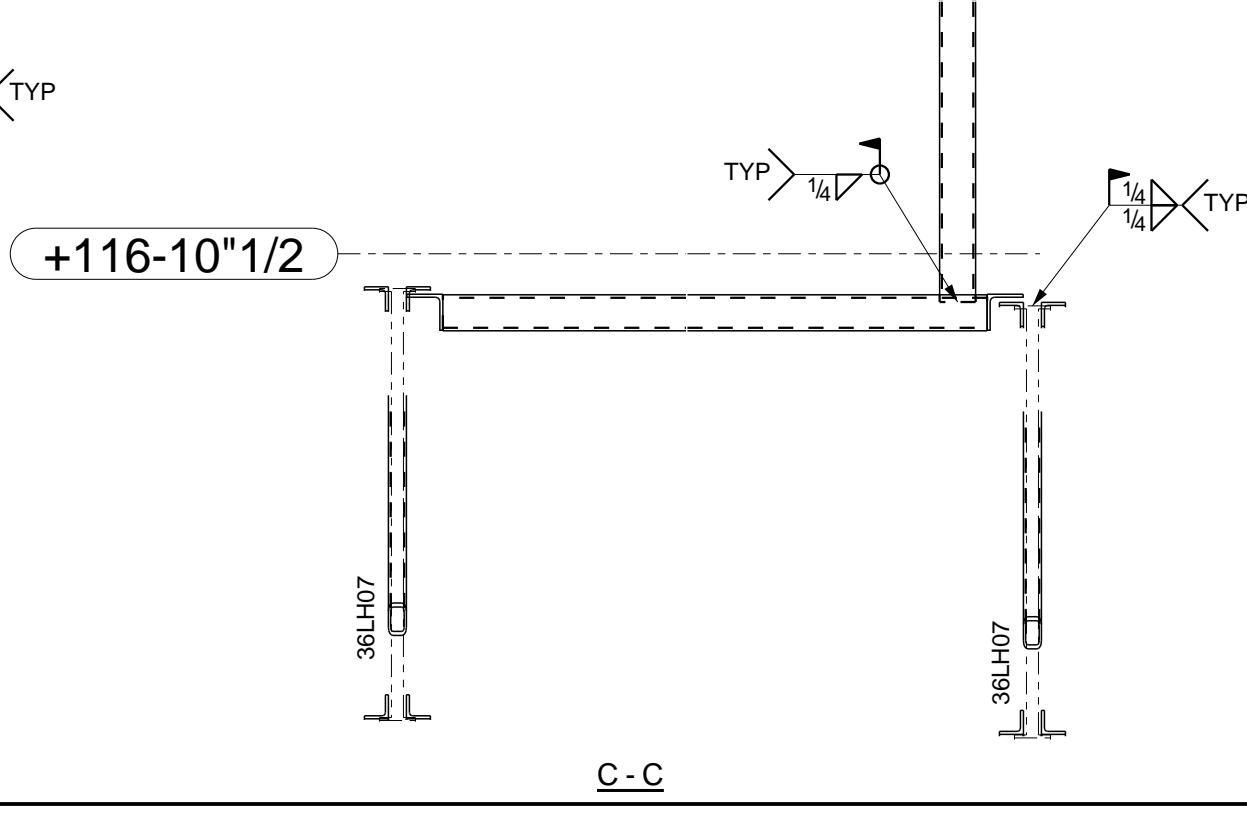
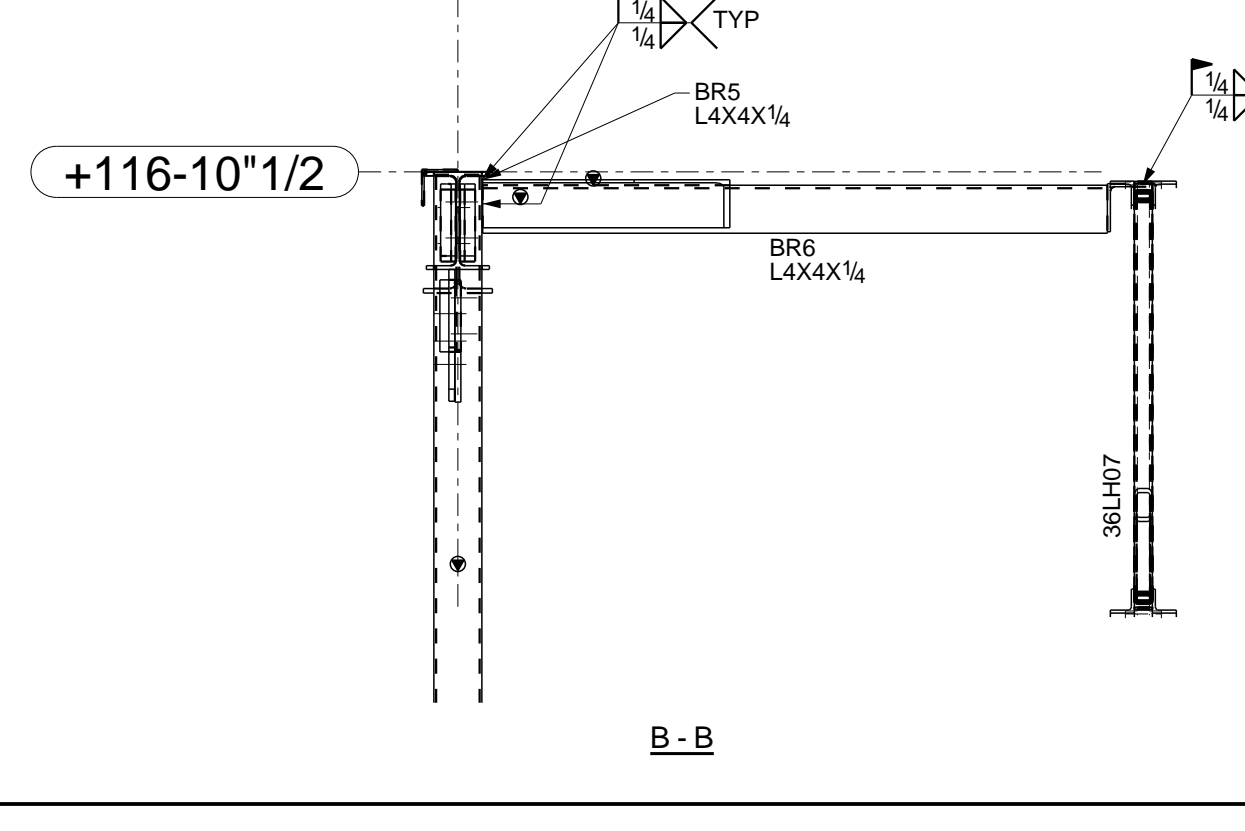
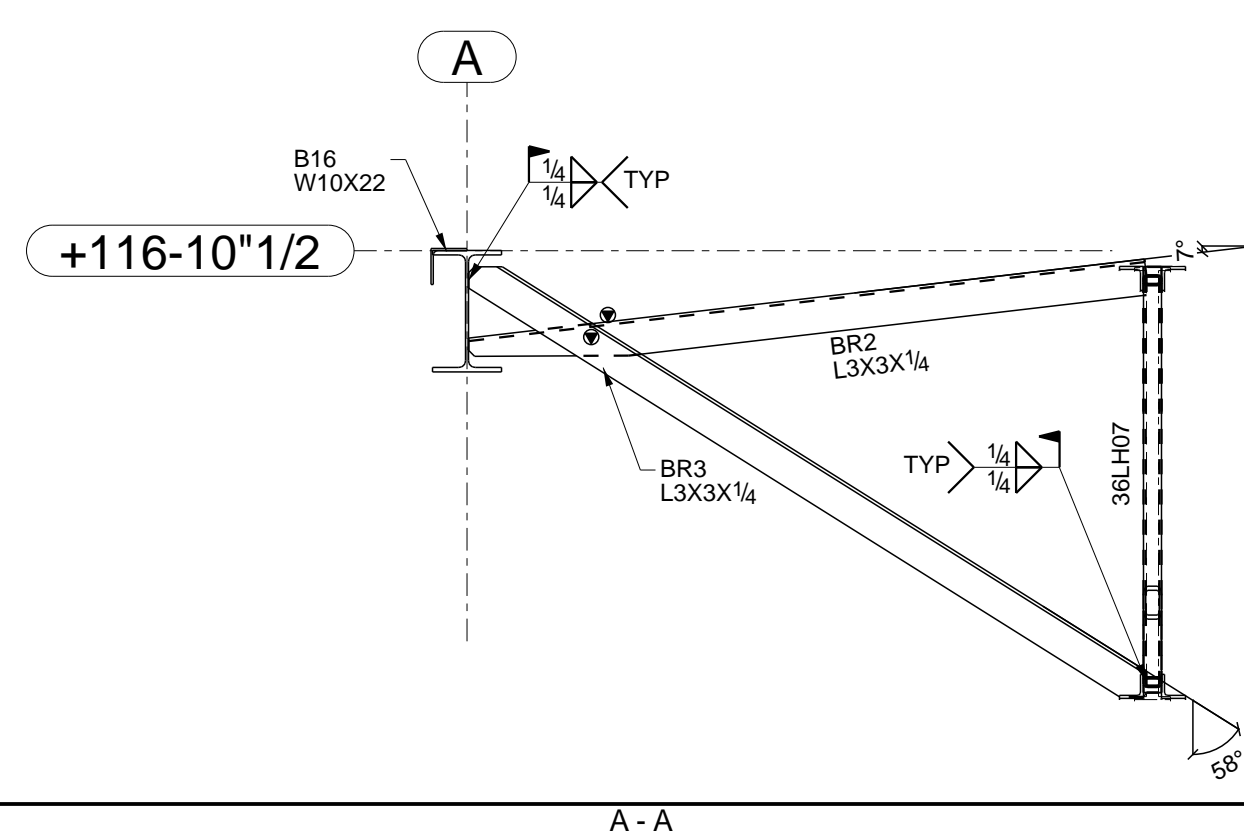


ROOF PLAN



1	ISSUED FOR CONSTRUCTION	
REV	DESCRIPTION	DATE
DESCRIPTION: ROOF PLAN 1		
PROJECT NAME:		
DRAWN BY:		JOB No. #16-09
DATE DRAWN: 05/04/2016		DRG No. E102

Telia Structures